



## Vegetable Slicer Cutter-mixer 4.5 l/4.7qt, var. speed, 1000w, nema 5-15p

ITEM # \_\_\_\_\_  
 MODEL # \_\_\_\_\_  
 NAME # \_\_\_\_\_  
 SIS # \_\_\_\_\_  
 AIA # \_\_\_\_\_



**602244 (DK45)**

Cutter Mixer, variable speed (300-3700 RPM). Supplied with 4.5 lt/ 4.7 qt stainless steel bowl with clear BPA-free lid, equipped with bowl scraper, fine serrated blade rotor and metal motor housing, 1-1/3 HP

### Short Form Specification

Item No. \_\_\_\_\_

Cutter Mixer, variable speed (300-3700 RPM). Supplied with 4.5 lt/ 4.7 qt stainless steel bowl with clear BPA-free lid, equipped with bowl scraper, fine serrated blade rotor and metal motor housing, 1-1/3 HP

### Main Features

- Emulsifier function (scraper) included as standard.
- All parts in contact with food are removable without the use of tools, completely dismountable and dishwasher safe.
- Pulse function to coarse chopping.
- Base fixed cover for a better handling.
- Capacity: cutter mixer working capacity from 1/3 ounce (100 g) to 4.4 lbs (2 kg), for 50-80 meals per service.

### Construction

- Asynchronous industrial motor with no brushes for high reliability and quiet functioning, stainless steel motor shaft.
- All blades (available on request) are made in stainless steel and dishwasher safe.
- Power: TRK45 - 1.3 HP.
- Stainless steel bowl has a high chimney to ensure high productivity also when processing liquids (75% of the nominal capacity).
- IPX5 (IP55) flat panel touch-control, watertight panel.
- Compact and portable design.
- Improved ventilation system to manage smoothly heavy duty use.
- Reinforced feet to withstand the repeated handling of the unit.
- Food processing at 10 variable speeds: 300-3700 rpm.

### Included Accessories

- 1 of Lid and bowl scraper for 4.7 qts (4.5 L) cutter mixer PNC 650099
- 1 of Stainless steel bowl for 4.7 qts (4.5 L) cutter mixer PNC 653589
- 1 of Microtoothed blade rotor for 4,5 lt cutter mixer PNC 653876

### Optional Accessories

- Lid and bowl scraper for 4.7 qts (4.5 L) cutter mixer PNC 650099
- Stainless steel bowl for 4.7 qts (4.5 L) cutter mixer PNC 653589
- Smooth blade rotor for 4,5 lt cutter mixer PNC 653875
- Microtoothed blade rotor for 4,5 lt cutter mixer PNC 653876
- MICROTOOTHED BLADE ROTOR (EMULSIONS) - 4,5L CUTTER-MIXER PNC 653877

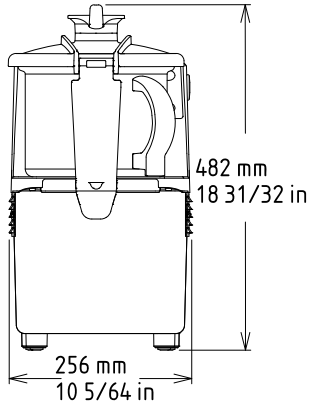
APPROVAL: \_\_\_\_\_

Cutter-mixer 4.5 l/4.7qt, var.speed, 1000w, nema 5-15p  
Vegetable Slicer

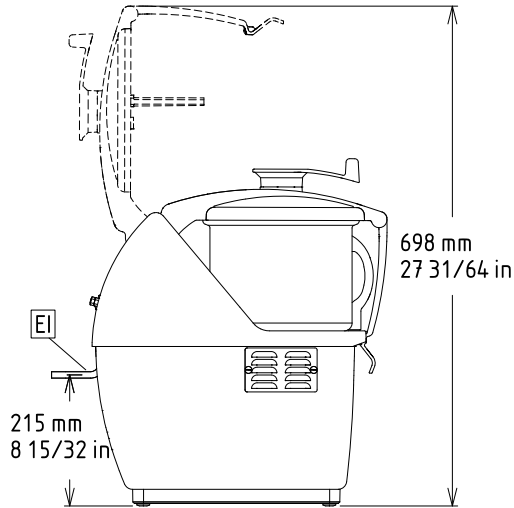


# Vegetable Slicer Cutter-mixer 4.5 l/4.7qt, var. speed, 1000w, nema 5-15p

Front

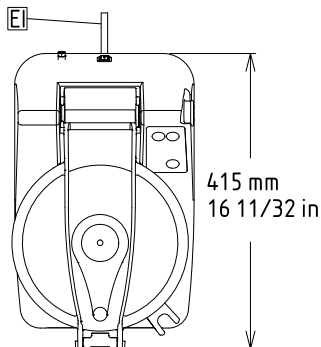


Side



**EI** = Electrical connection

Top



Electric

**Supply voltage:**

**602244 (DK45)**

110-120 V/1N ph/60 Hz

**Total Watts:**

1 kW

**Plug type:**

USA NEMA 5-15P

Key Information:

**External dimensions, Width:**

10 1/16" (256 mm)

**External dimensions, Depth:**

16 5/16" (415 mm)

**External dimensions, Height:**

19" (482 mm)

**Shipping width:**

11 13/16" (300 mm)

**Shipping depth:**

23 5/8" (600 mm)

**Shipping height:**

21 5/8" (550 mm)

**Shipping weight:**

55 lbs (25 kg)



Vegetable Slicer  
Cutter-mixer 4.5 l/4.7qt, var. speed, 1000w, nema 5-15p

The company reserves the right to make modifications to the products without prior notice. All information correct at time of printing.

2024.12.05